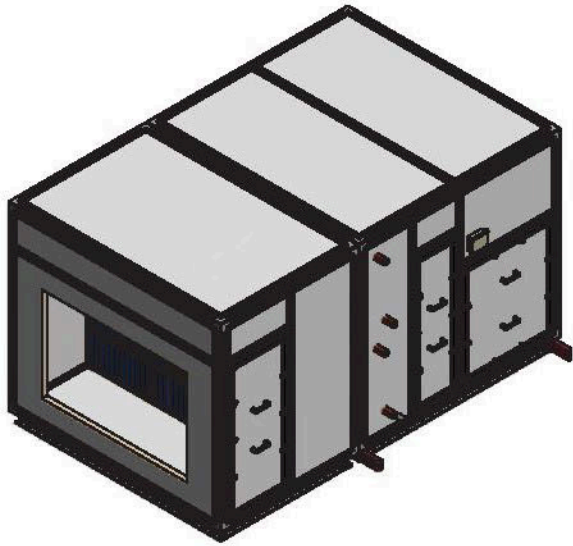
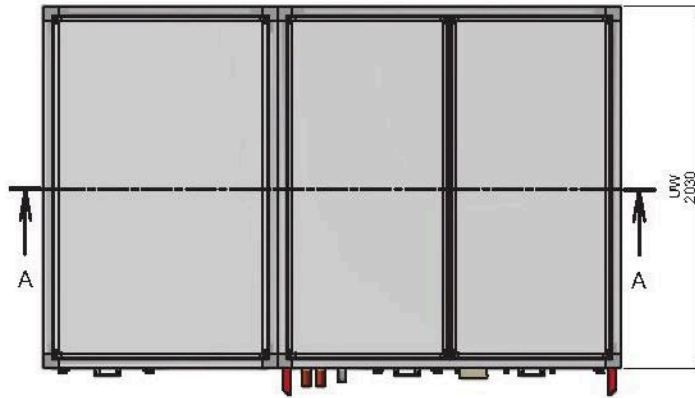
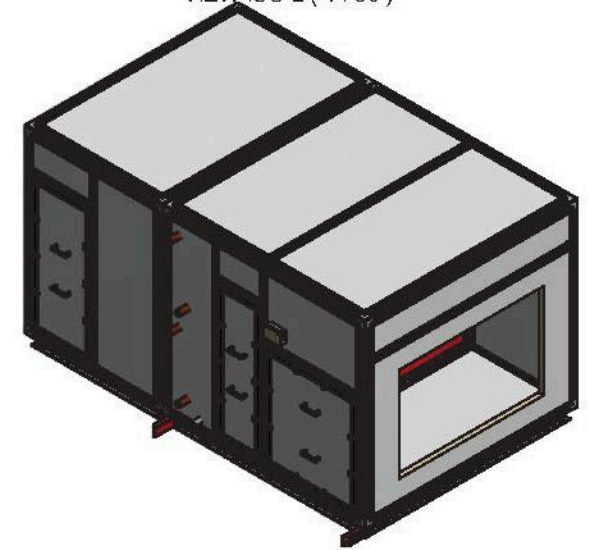


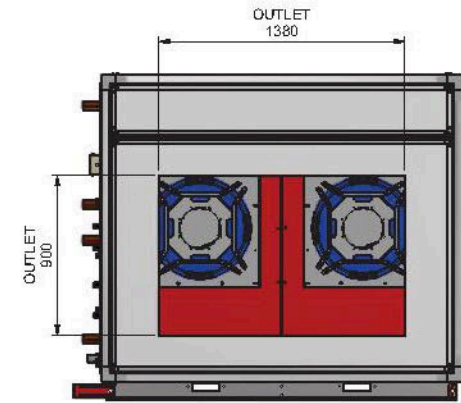
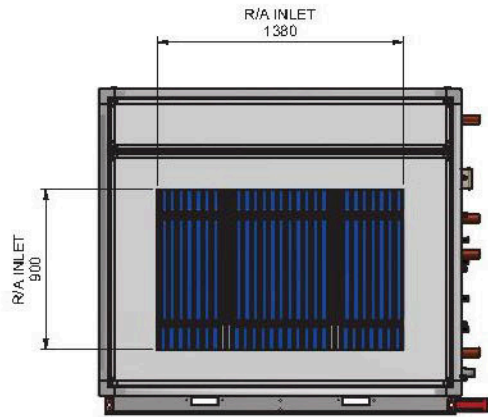
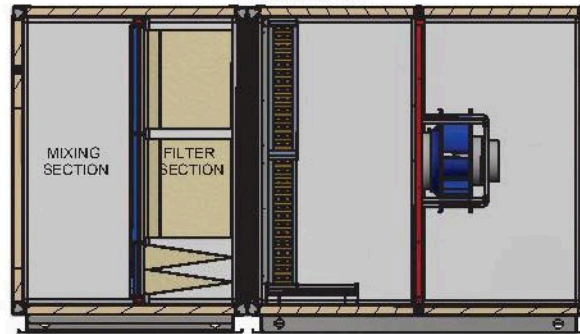
VIEW ISO 1 (1 : 36)



VIEW ISO 2 (1 : 36)



A-A (1 : 30)



MAX R/A INLET (HORIZONTAL) : 1200X1520MM  
 MAX O/A INLET (VERTICAL) : 480X1805MM  
 MAX S/A (HORIZONTAL) : 1200X1520MM  
 MAX S/A (VERTICAL) : 480X1805MM

UNLESS OTHERWISE SPECIFIED  
 DIMENSIONS ARE IN MILLIMETRES  
 BREAK AND Omit ALL DIMENSIONS  
 3rd ANGLE  
 PROJECTION  
 DO NOT SCALE DRAWING

Rev	By	Date	Description
000	Toh	06/05/2017	Initial Released

Fantech Pty Ltd. A.C.N. 095 434 024  
 45 NESTOR DRIVE, MEACOWBROOK, QUEENSLAND AUSTRALIA 4131  
 TELEPHONE (07) 32 999 888 FACSIMILE (07) 32 999 800



DRAWN: Toh	DATE: 6/5/2017
CHKD: Sean	DATE: -
APPRD: JT	DATE: -
DRAWING NO: 868-8030-0506	REV: /00

General Layout  
 ME2B-H506G3-FPL,  
 GR50C(Y73724)x2

SCALE: 1 : 30	SIZE: A3
---------------	----------